

COMPONENT SIGNAGE, INC.

www.ComponentSignage.com



Contents

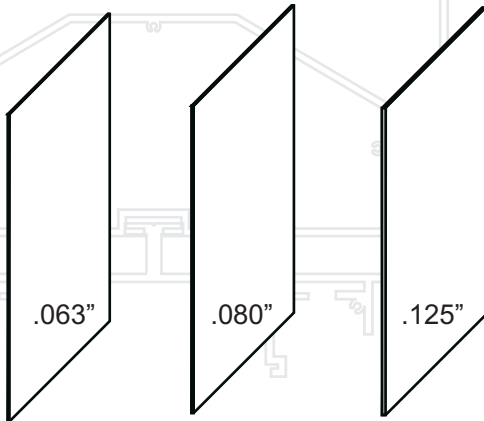
CSI 50 Series Flat Panels.....	3
CSI 75 Series Wall Pans.....	4
CSI 100 Series Blade Signs.....	5
CSI 200 Series Beveled Framed Signs.....	7
CSI 300 Series 3" Framed Post & Panels.....	8
CSI 400 Series Changeable Module Signs.....	10
CSI 600 Series 6" Framed Post & Panels.....	12
CSI 1000 Series Pylons & Low Profile Signs..	14
Technical Support.....	16
Standard Paint Color Chart.....	17



50 Series Flat Aluminum Panels

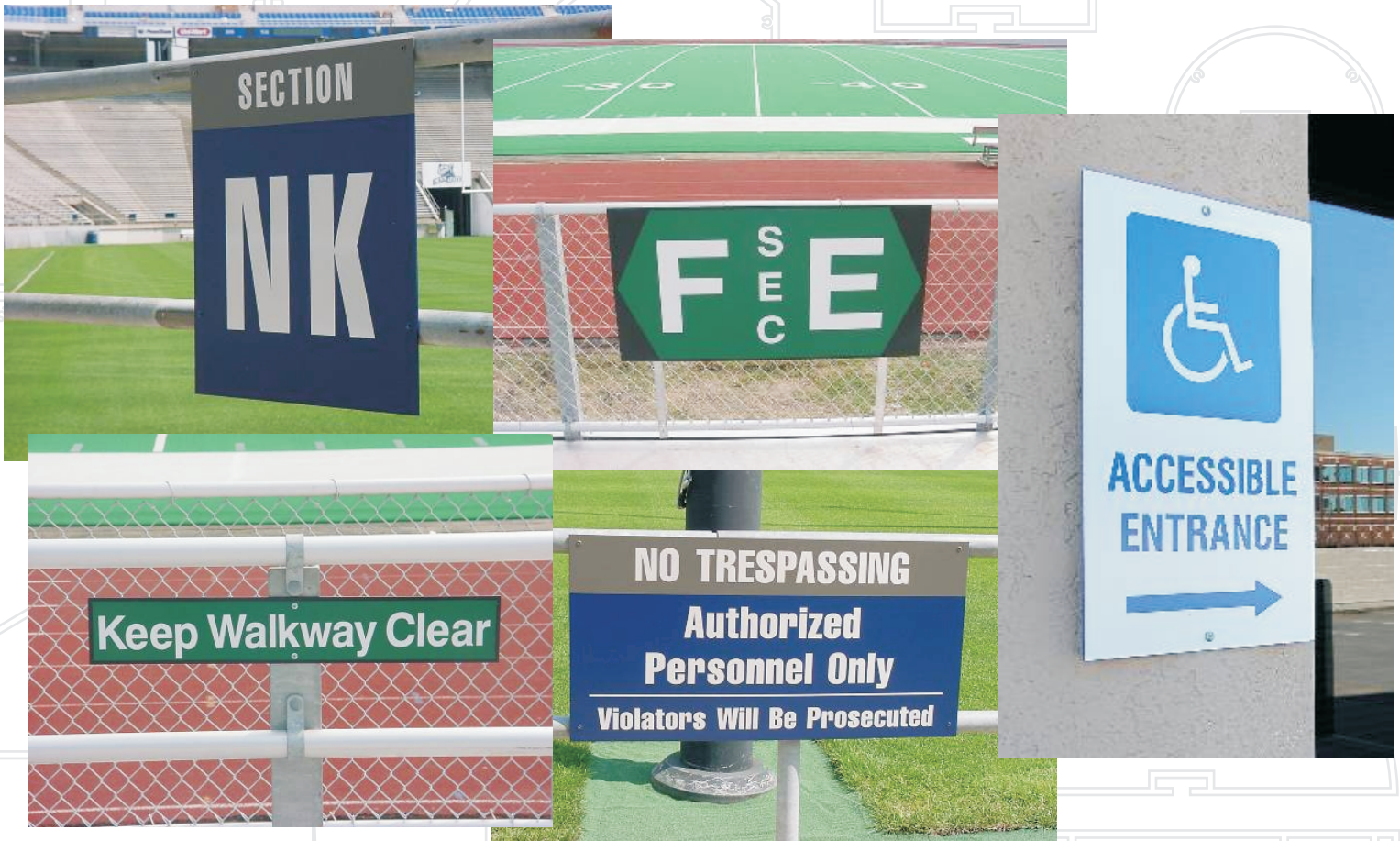
CSI-50:

Flat aluminum panels are available in various thickness and colors. Also available in radius corners and custom colors. Sizes are available up to 60"x96"



OPTIONAL COST:

- Radius Corners
- Drilled Holes
- Custom Color Match
- Plaques are painted one side standard. Two sided paint finishes can be applied



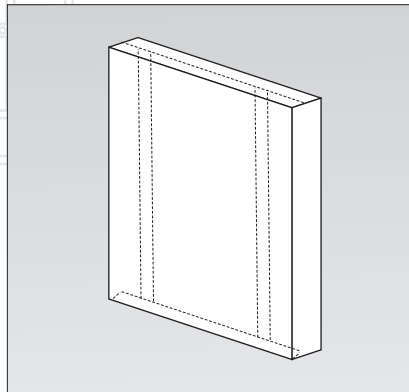


75 Series Wall Pans

CSI-75:

Aluminum fabricated pan signs, made from various thickness depending on size required. Pans have internal mounting frame for easy installation.

Internal Mounting Frame



CSI-75 Aluminum Pan Signs



CSI - 75 (Wall Mount Pan Sign)											
Standard Sizes											
	12"	18"	24"	30"	36"	42"	48"	60"	72"	84"	96"
12"	Custom Sizes and Shapes are Available										
18"											
24"											
30"											
36"											
42"											
48"											

Optional Cost:

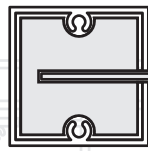
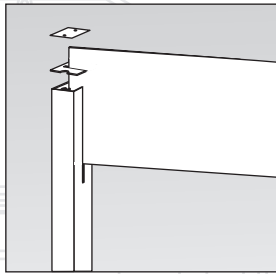
- Above Pans are up to 2" in depth (specify)
- Up to 6" in depth available
- Custom Color Match
- Custom Shapes are available on request



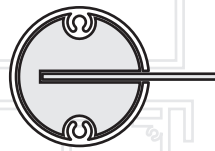
100 Series Flat Panel Blade Signs

CSI-100:

A frameless post and panel system consisting of a flat aluminum panel with a choice of four post designs. Panels have a clip attachment that mates up to inside of post for an interlocking effect.



3"x3"



3" round



2"x2"



2" Beveled



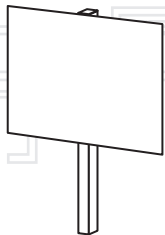


100 Series Flat Panel Blade Signs



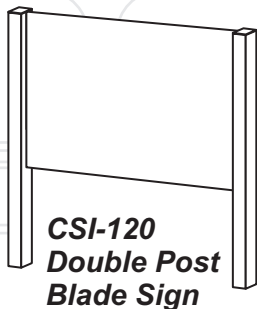
**CSI-110
Flag Blade Sign**

CSI - 110 (Single 2" Post, Blade Sign)			
Standard Sizes			
	12"	18"	24"
12"	Custom Sizes & Shapes are Available		
18"			
24"			



**CSI-115
Single Post
Blade Sign**

CSI - 115 (Flat Panel on Post)					
Standard Sizes					
	12"	18"	24"	30"	36"
12"	Custom Sizes & Shapes are Available				
18"					
24"					
30"					



**CSI-120
Double Post
Blade Sign**

CSI - 120 (Double 2" Post, Blade Panel System)									
Standard Sizes									
	12"	18"	24"	30"	36"	42"	48"	60"	72"
12"	Custom Sizes & Shapes are Available								
18"									
24"									
30"									
36"									
42"									
48"									

Optional Cost:

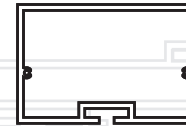
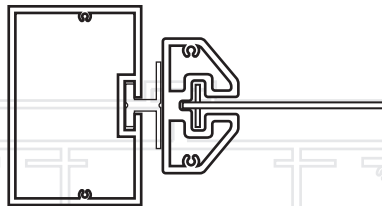
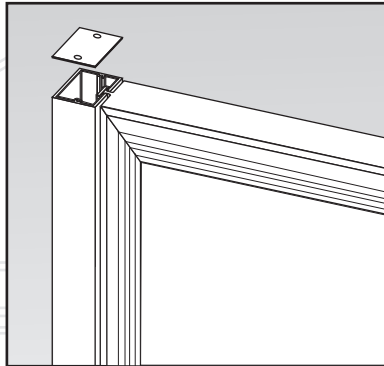
- Standard Post Length is 7'-6", additional post length can be added
- Optional 3" or 4" Posts
- Base Plate Mount: 6"x6", 8"x8", 12"x12"
- Custom Color Match
- Custom panel shapes available upon request



200 Series Beveled Frame Signs

CSI-200:

A combination of extruded aluminum post and interlocking Beveled Frames with a single blade flat panel.



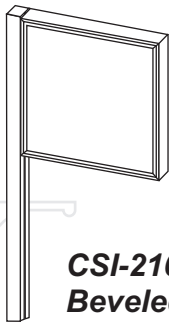
Square Post Design



Radius Post Design

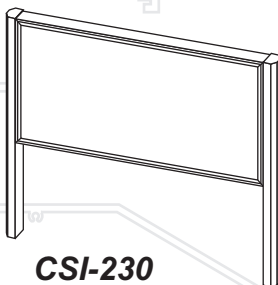


Beveled Post Design



CSI-210
Beveled Frame
Flag Mount

CSI - 210 (3" Post, Beveled Flag Mounted Frame)			
Standard Sizes			
	12"	18"	24"
12"	Custom Sizes		
18"	&		
24"	Shapes are Available		



CSI-230
Beveled Frame
Double Post

CSI - 230 (Beveled Frame, Double Post)											
Standard Sizes											
	12"	18"	24"	30"	36"	42"	48"	60"	72"	84"	96"
12"	Custom Sizes										
18"	&										
24"	Shapes are Available										
30"											
36"											
42"											
48"											

Optional Cost:

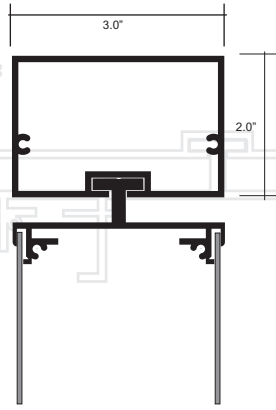
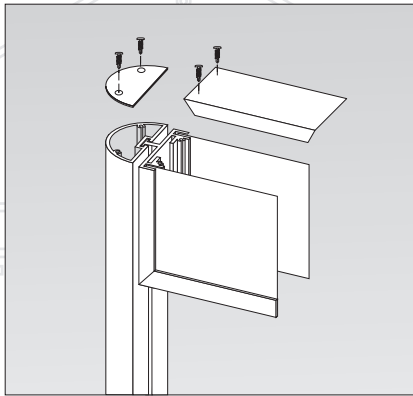
- Standard Post Length is 7'-6" additional post length can be added
- Base Plate Mount: 6"x6", 8"x8", 12"x12"
- Custom Color Match



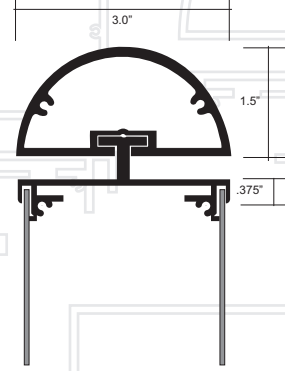
300 Series 3" Post & Panels

CSI-300:

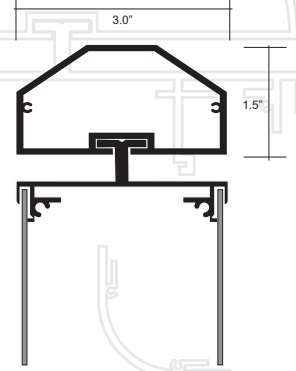
A combination of extruded aluminum post and interlocking frame system; designed for changeability. The CSI-300 series has 3" depth and has three post designs.



Square Post Design



Radius Post Design



Beveled Post Design



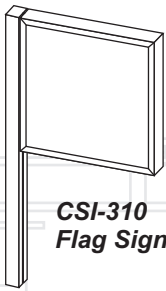


300 Series 3" Post & Panels



**CSI-305
Wall Sign**

CSI - 305 (3" Framed Wall Mount)											
Standard Sizes											
	12"	18"	24"	30"	36"	42"	48"	60"	72"	84"	96"
12"	Custom Sizes and Shapes are Available Ask us about UL listing these with energy efficient LED's for a cost effective backlit sign										
18"											
24"											
30"											
36"											
42"											
48"											



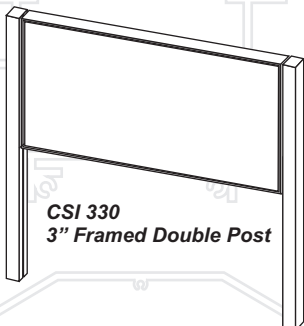
**CSI-310
Flag Sign**

CSI - 310 (3" Post, 3" Flag Mounted Frame)			
Standard Sizes			
	12"	18"	24"
12"	Custom Sizes are Available		
18"			
24"			
24"			



**CSI-315
Center Mount**

CSI - 315 (3" Framed, Center Mount 2" Post)					
Standard Sizes					
	12"	18"	24"	30"	36"
12"	Custom Sizes are Available				
18"					
24"					
30"					
36"					
36"					



**CSI 330
3" Framed Double Post**

CSI - 330 (3" Framed Double Post)												
Standard Sizes												
	12"	18"	24"	30"	36"	42"	48"	60"	72"	84"	96"	120"
12"	Custom Sizes and Shapes are Available											
18"												
24"												
30"												
36"												
42"												
48"												
48"												

Optional Cost:

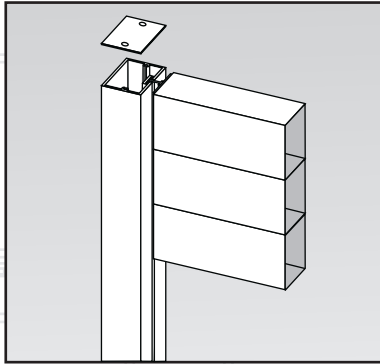
Standard Post Length is 7'-6" additional post length can be added
 Base Plate Mount: (per plate) 6"x6", 8"x8", 12"x12"
 Custom Color Match



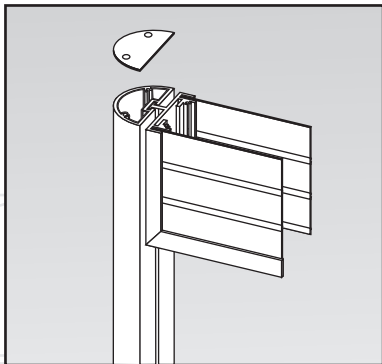
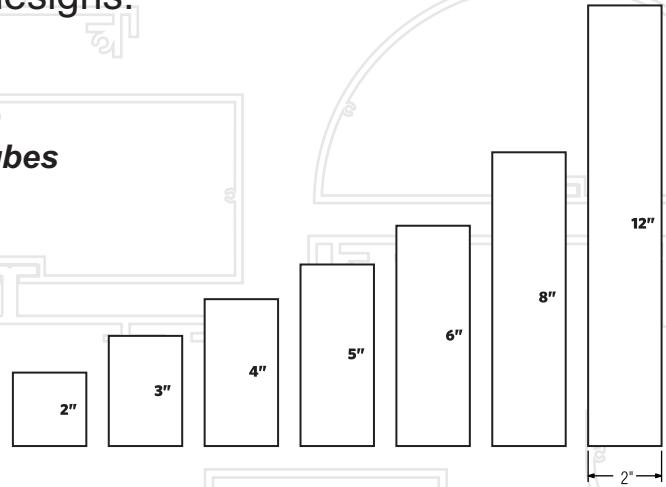
400 Series Changeable Signs

CSI-400:

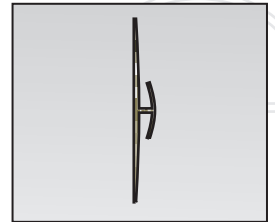
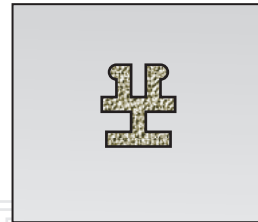
A changeable message sign system. Utilizing our WordTube or Panel Dividers. Three post designs.



**CSI-420
WordTubes**



**CSI-430
Panel Dividers**



Divider Bar Extrusions



CSI-420



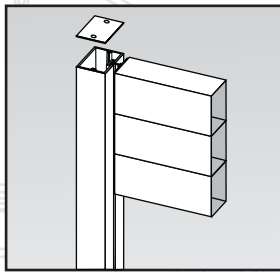
CSI-430



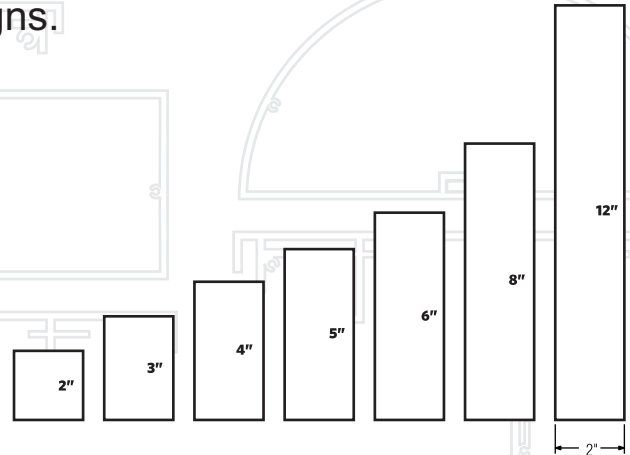
400 Series Changeable Signs

CSI-400:

A changeable message sign system. Utilizing a WordTube or Panel Dividers. Three post designs.

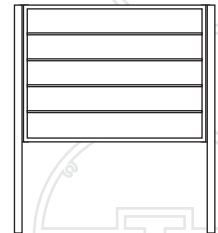


**CSI-420
WordTubes**



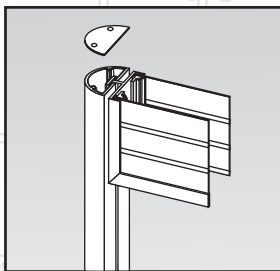
CSI - 420 (WordTube System)											
	18"	24"	30"	36"	42"	48"	60"	72"	84"	96"	
2"											
3"											
4"											
5"											
6"											
8"											
12"											

Compare available Tube Sizes to Competitors



Optional Cost:

- Base Plate Mount: 6"x6", 8"x8", 12"x12"
- Custom Color Match



**CSI-430
Panel Dividers**

CSI - 430 (3" Framed Multi-Panel Divider System)												
	Standard Sizes											
	12"	18"	24"	30"	36"	42"	48"	60"	72"	84"	96"	120"
12"												
18"												
24"												
30"												
36"												
42"												
48"												

Choose from 3 different divider types

Panel Divider system also available with 600 (6" depth) system

Optional Cost:

- Specify number of modules/individual panels
- Standard Post Length is 7'-6" additional post length can be added
- Base Plate Mount: 6"x6", 8"x8", 12"x12"
- Custom Color Match

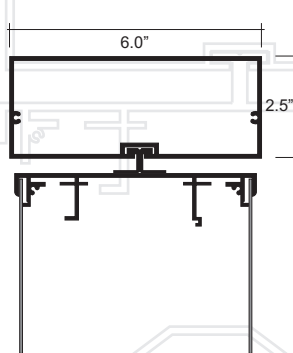
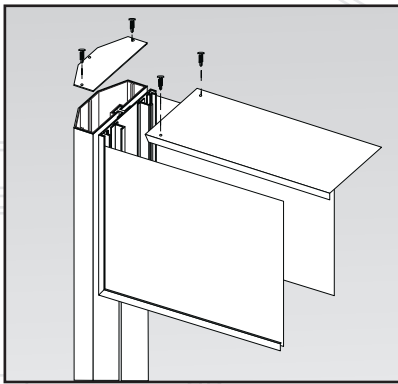
6" Multi-Panel system is also available



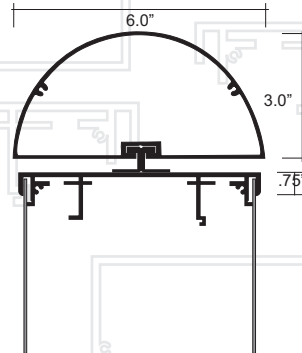
600 Series 6" Post & Panel Signs

CSI-600:

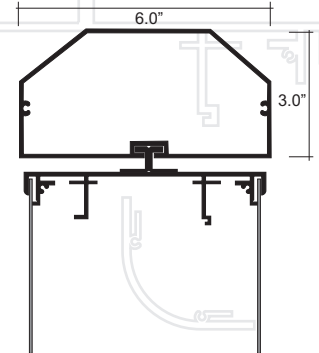
A combination of extruded aluminum post and interlocking frame system; designed for changeability. The CSI-600 series has 6" depth and has three post designs. Frame has wire way for optional illumination 120 or 277 volt fluorescent lamps.



Square Post Design



Radius Post Design

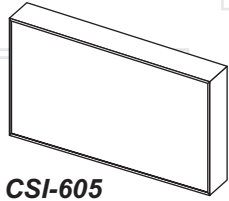


Beveled Post Design





600 Series 6" Post & Panel Signs

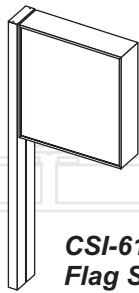


**CSI-605
Wall Sign**

CSI - 605 (6" Framed, Wall Mount)															
Standard Sizes															
	12"	18"	24"	30"	36"	42"	48"	60"	72"	84"	96"	108"	120"	132"	144"
12"															
18"															
24"															
30"															
36"															
42"															
48"															
60"															
72"															

Custom Sizes are available

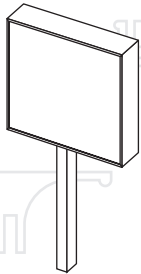
Series can be wall or ceiling mounted
with optional backlit illumination



**CSI-610
Flag Sign**

CSI - 610 (6" Post, 6" Flag Mounted Frame)				
Standard Sizes				
	18"	24"	30"	36"
18"				
24"				
30"				
36"				

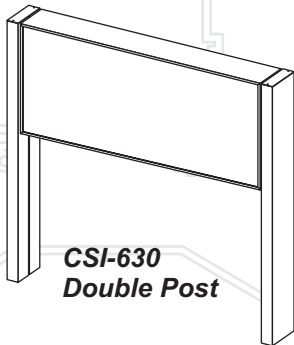
Custom Sizes are Available



**CSI-615
Center Mount**

CSI - 615 (6" Framed, Center Mount 4" Post)				
Standard Sizes				
	18"	24"	30"	36"
18"				
24"				
30"				
36"				

Custom Sizes are available



**CSI-630
Double Post**

CSI - 630 (6" Framed, Double Post)															
Standard Sizes															
	12"	18"	24"	30"	36"	42"	48"	60"	72"	84"	96"	108"	120"	132"	144"
12"															
18"															
24"															
30"															
36"															
42"															
48"															
60"															

Custom Sizes and Shapes are available

Available in optional backlit illumination (UL Listed)

Optional Cost:

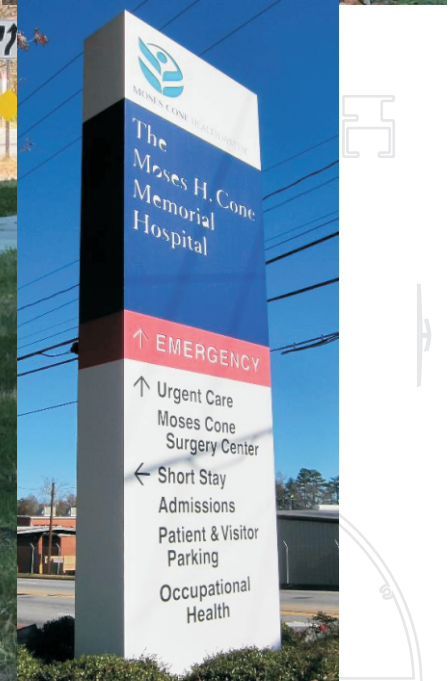
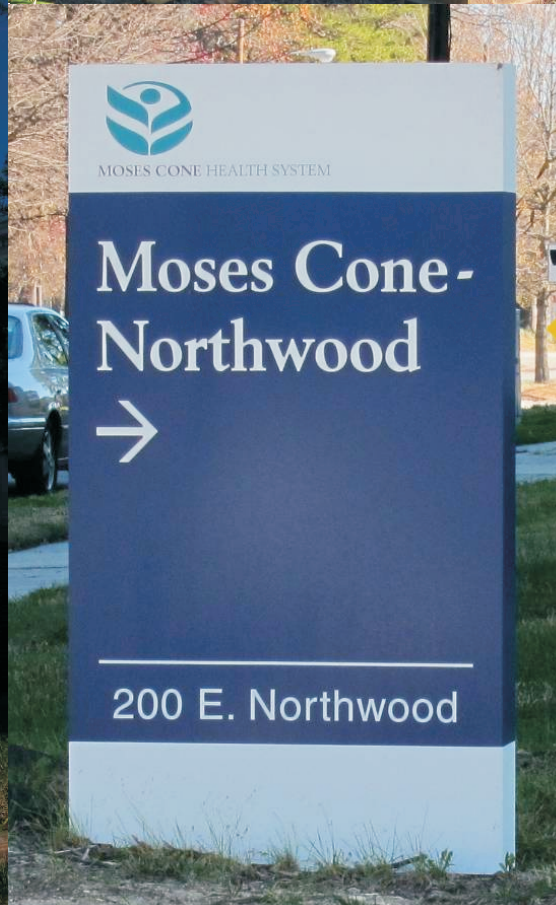
Standard Post Length is 7'-6" additional length is available
 Base Plate Mount: 8"x8", 12"x12"
 Custom Color Match



1000 Series Pylons & Low Profile

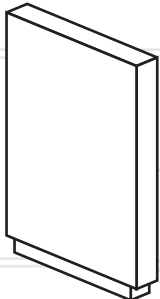
CSI-1000:

Aluminum sign 12" depth, suited for primary identification signs. Available in square edges, radius edges, triangle design, radius ends, and cube signs. Signs are fabricated and then finished in any color required. Custom color are available on request.





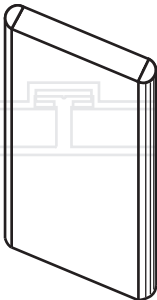
1000 Series Pylons & Low Profile



CSI - 1010

CSI - 1010 (12" Pylon/Low Profile)													
Standard Sizes													
	18"	24"	30"	36"	42"	48"	60"	72"	84"	96"	108"	120"	144"
18"													
24"													
30"													
36"													
42"													
48"													
60"													

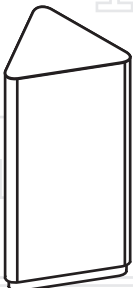
Custom Sizes, Shapes, Reveals,
Skirts, & Mounting Options are Available



CSI - 1020

CSI - 1020 (12" Pylon/Low Profile Radius Ends)													
Standard Sizes													
	18"	24"	30"	36"	42"	48"	60"	72"	84"	96"	108"	120"	144"
18"													
24"													
30"													
36"													
42"													
48"													
60"													

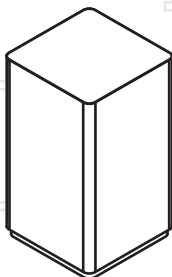
Custom Sizes, Shapes, Reveals,
Skirts, and Mounting Options are Available



CSI - 1030

CSI - 1030 (Triangle Pylon, Radius Edges)													
(Height)													
	18"	24"	30"	36"	42"	48"	60"	72"	84"	96"	120"	144"	
18"x18"x18"													
24"x24"x24"													
30"x30"x30"													
36"x36"x36"													
42"x42"x42"													
48"x48"x48"													
60"x60"x60"													

Custom Sizes, Tops, and Faces Materials are Available
Optional UL Listed



CSI - 1040

CSI - 1040 (Square Pylon, Radius Edges)													
(Height)													
	18"	24"	30"	36"	42"	48"	60"	72"	84"	96"	120"	144"	
18"x18"													
24"x24"													
30"x30"													
36"x36"													
42"x42"													
48"x48"													
60"x60"													

Custom Sizes, Tops, and Face Materials are Available
Optional UL Listed

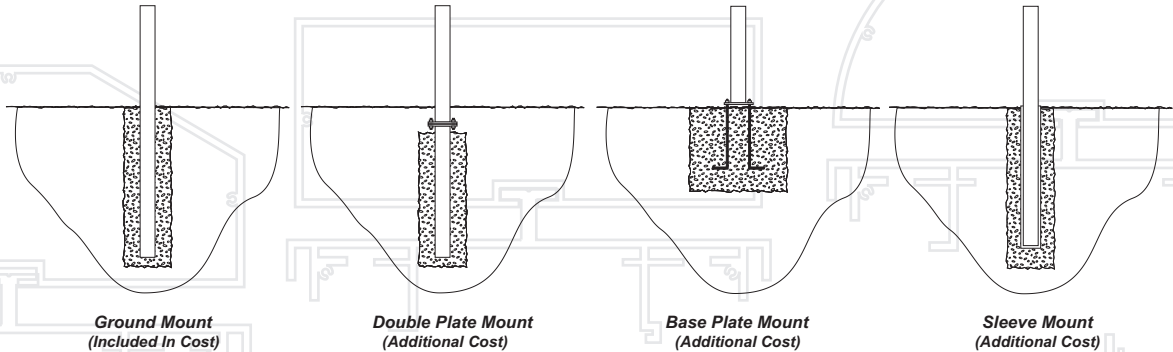
Optional Cost:

Above Signs **Do Not** include internal support post, 4"x4" steel tubing available
Skirts, reveals or custom shapes are available
Optional backlit (UL Listed)
Custom Color Match



Technical Support

INSTALLATION TYPES:

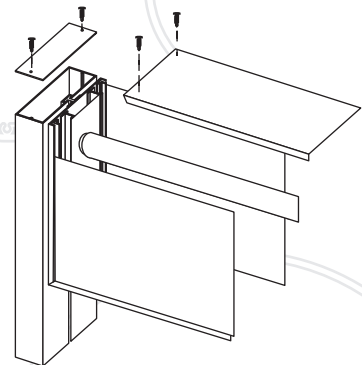


FINISHES:

CSI's standard finish is a catalyzed polyurethane paint finish that is available in 15 standard colors. Aluminum is prepared which includes etch and degreased. Signs are then primed and finished with polyurethane paint. Custom colors are also available

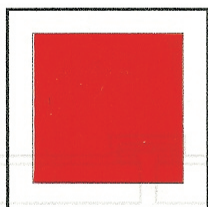
LIGHTING:

High Output Fluorescent lamps are positioned with copy to assure uniform illumination. Ballast available in 120 or 277 volts. LED lighting is also available for an environmentally friendly option. UL LISTED

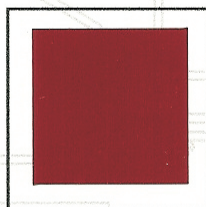


Where Simplicity Meets Versatility

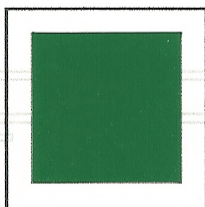
Standard Color Chart



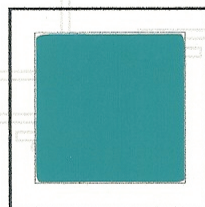
101 Red



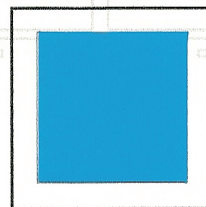
102 Burgundy



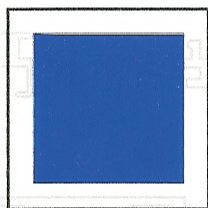
103 Green



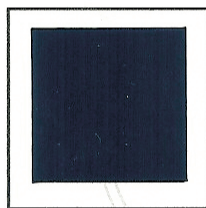
104 Teal



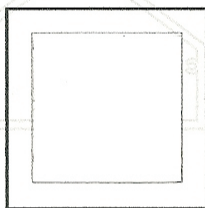
105 Light Blue



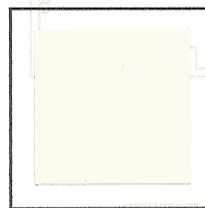
106 Medium Blue



107 Dark Blue



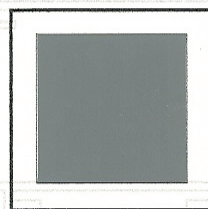
108 White



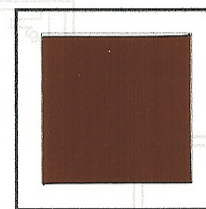
109 Ivory



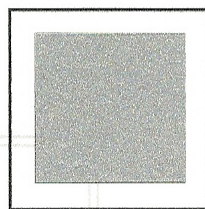
110 Light Gray



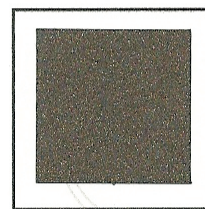
111 Charcoal Gray



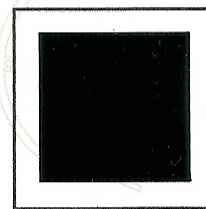
112 Dark Brown



113 Silver



**114 Dark Bronze
(*Matches #313)**



115 Black

All colors are subject to light variations due to age and light.
Positive matching of colors cannot be guaranteed.



COMPONENT SIGNAGE, INC.

www.ComponentSignage.com

- Post & Panel Signage
- Wall Pans
- Blade Post & Panels
- Multi Panels Signage
- Flat Panels (aluminum)
- Lighted Post & Panels
- Flag Signs
- Custom Colors & Sizes
- Pylons (square & radius)
- Name Plate Holders
- Center Mounted Signs
- Wall Framed Signs